

Stock Code: **20381LEDDMG-BL**

Collection: Pella

**PRODUCT INFORMATION**

Base: 20381	Parent: 20381LEDDMG
Mounting Type: Wall	UPC: 641594251906
Finish: Black	
Diffuser: N/A	

**PRODUCT MEASUREMENTS**

FIXTURE**	BACKPLATE / CANOPY**
Length:	Length
Width: 12.5"	Width:
Diameter	Diameter: 4.75"
Height: 10.5"	Height: .75"
Extension: 17"	
Overall Height:	

**TECHNICAL SPECIFICATIONS**

**SPECIFICATIONS**

Frame Material: Aluminum	
Diffuser Material: N/A	
Lamping Type: SSL (Dedicated LED)	Jbox: Standard
Lamping Base: SSL	Lamp Wattage: 12 W
Lamp Quantity: 1	Total Wattage: 12 W
Voltage: 120v	Lamps Included: Yes

**QUALIFICATIONS**

Location Rating: Wet	
Certification: ETL (US/Canada) Listed	
ADA Compliant: No	Energy Star: No
JA8 Compliant: Outdoor Only	Emergency Lighting: No
Marine Grade Finish: No	
Warranty**: 5 Year	

**PHOTOMETRICS**

Dimmable: Yes	Nominal Lumens: 1200 Lm
CRI: 90	Delivered Lumens: 666 Lm
CCT: 3000K	
Recommended Dimmers:	

**ADDITIONAL NOTES**

Project Name: \_\_\_\_\_

Location: \_\_\_\_\_

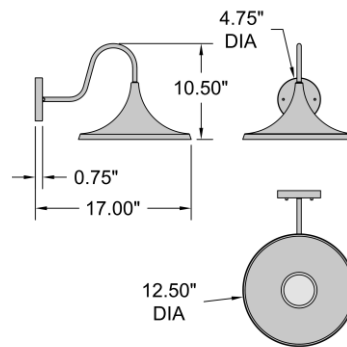
Type: \_\_\_\_\_

Quantity: \_\_\_\_\_

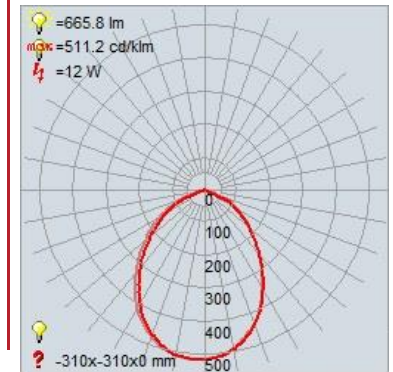
Notes: \_\_\_\_\_



**LINE DRAWING**



**IES FILE**



In addition to Access Lighting's purchase and warranty terms and conditions, by signing below or placing an order, you agree that you are authorized to bind the entity placing any order and acknowledge the following: All of sizes and measurements are approximate and all images are for illustrative purposes only. In the event of an inconsistency, the "Product Measurements" section controls. There also may be slight differences in the colors and designs compared to the displayed and printed images.

Signature: \_\_\_\_\_

Print Name \_\_\_\_\_ Date: \_\_\_\_\_

**Toll Free 800-828-5483 www.AccessLighting.com**

301 Piedmont Grove Park, Suite A, Greenville, SC 29611



\*\* NOTE: All measurements are rounded up to the 1/4 inch. There is no warranty on any replaceable bulbs, even if included with the fixture.  
 Copyright Access Lighting Corp. All information is subject to change without notice. 5/29/2024 20381LEDDMG-BL.pdf